

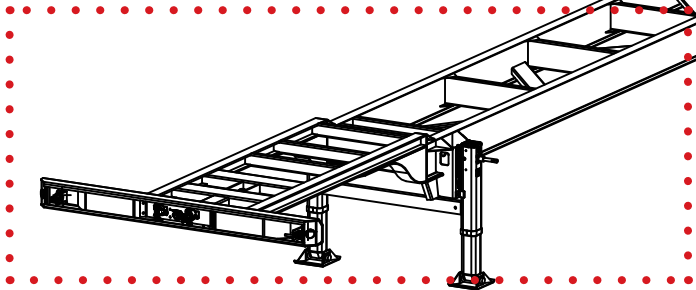
Fontaine Chassis Parts Manual



FONTAINE[®]
ENGINEERED PRODUCTS

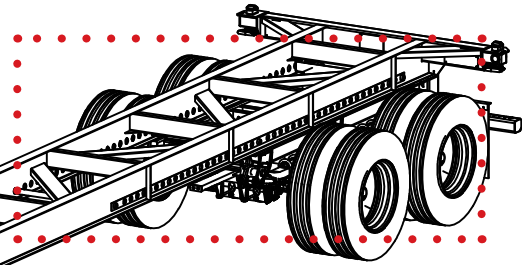
Contents

This manual has been prepared to assist you finding model numbers and part locations of chassis components.



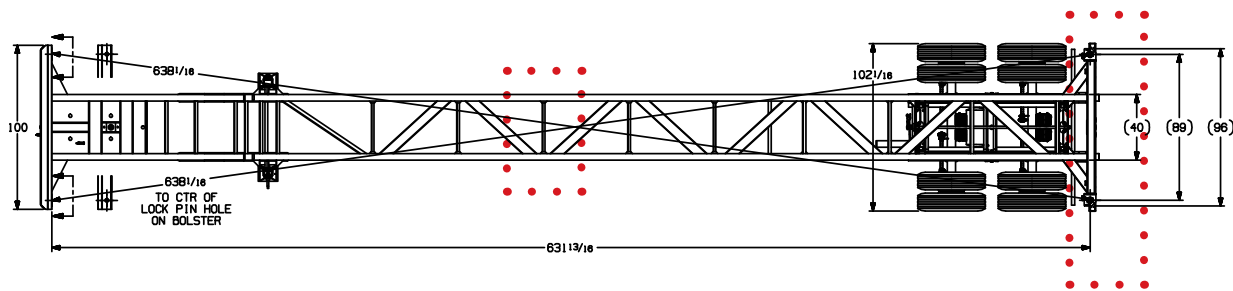
Front Bolster Area and Middle Chassis Components (Page 7)

- 220" ABS Power Cable
- 44" 7 Way Nosebox
- 676" 7 Way Main with Mid Marker
- Front Bolster
- Front Marker Clearance Lamp
- Pin Lock



Axle and Wheel End Area Components (Page 4-6)

- ABS Power Cable
- ABS Sensor
- ABS Valve
- Air Tank
- Auto Slack Adjuster
- Brake Chamber
- Hub and Drum Assembly
- Hub Cap
- Hub Cap Gasket
- HUBO and bracket
- Inner Bearing
- Mid Arch 2 Leaf Spring
- Mud Flap Brackets
- Outer Bearing
- Pro Torque Wheel End Nut
- Slider Box
- Slider Terminal Bolt Brackett
- Spring Brake Valve
- Terminal Bolt Bracket Channel
- Two Hole Grommet Bracket

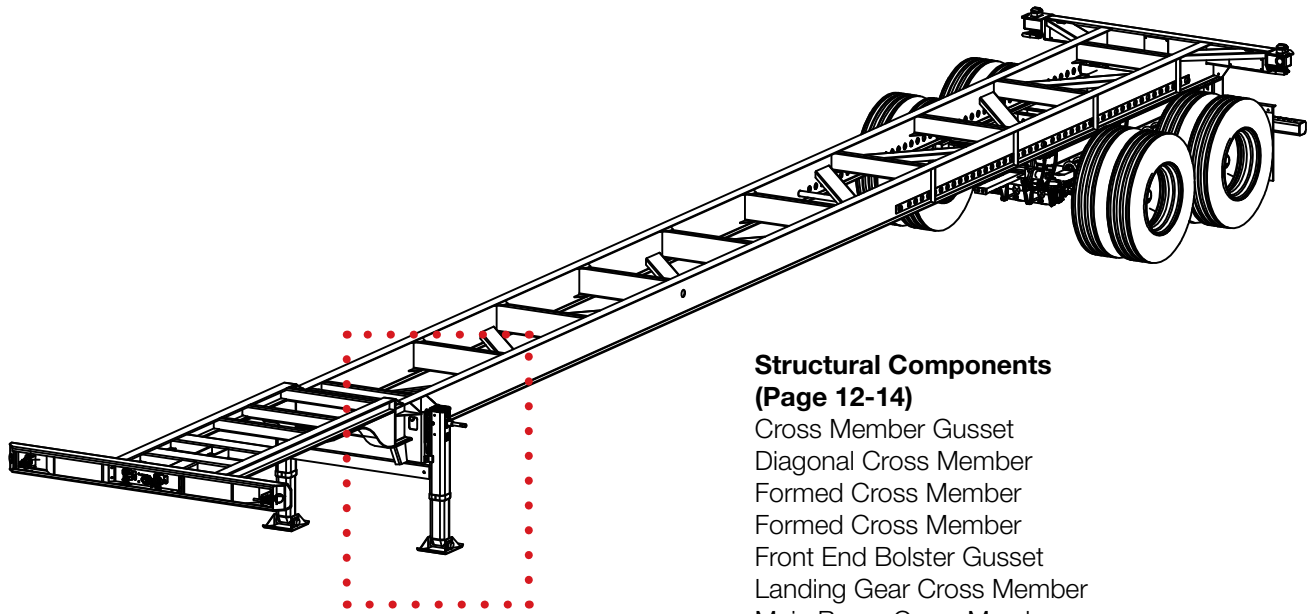


Rear Bolster and Lighting Components (Page 8-10)

- | | |
|--|------------------------------------|
| 12" CTR Rear ID/License | Mid Marker Lamp |
| 48"/48" Rear Sill | Rear ID Adapter Pigtail |
| ABS Adapter Pigtail | Rear ID Lamp |
| ABS Lamp | Rear Side Marker Lamp |
| Bumper Weldment | Rear Side Marker Lamp |
| Front and Rear Marker Security Flange | Rear Side Marker Adapter Pigtail |
| Front Marker Clearance Adapter Pigtail | S/T/T Lamp |
| License Lamp | Twist Lock (Buffers) 10200 – 11999 |
| License Lamp Mounting Flange | Twist Lock (Toca) 10000 - 10299 |
| Mid Marker Adapter Pigtail | |



Contents (Continued)



Landing Gear Components (Page 11)

- Bracket Weldment
- Landing Gear
- Landing Gear
- Landing Gear Channel

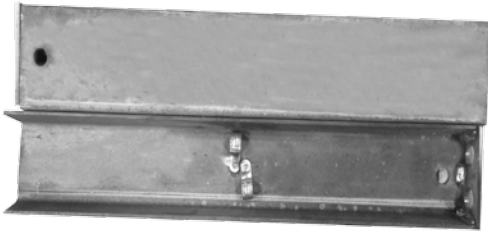
Structural Components (Page 12-14)

- Cross Member Gusset
- Diagonal Cross Member
- Formed Cross Member
- Formed Cross Member
- Front End Bolster Gusset
- Landing Gear Cross Member
- Main Beam Cross Member
- Rear Beam Cross Member
- Rear Bolster CTR Access Cover
- Rear Bolster Outside Access Cover
- Rear Bolster Tube
- Rear Gusset
- Slider Stop Tube
- Steel Dock Bumper Weldment

Miscellaneous Components (Page 15)

- Document Holder
- Hose Kaddy
- King Pin
- License Plate Bracket

Axle & Wheel End Area Components



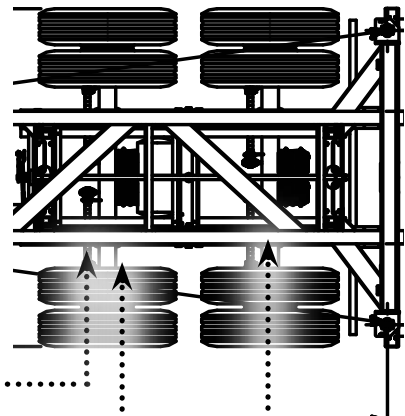
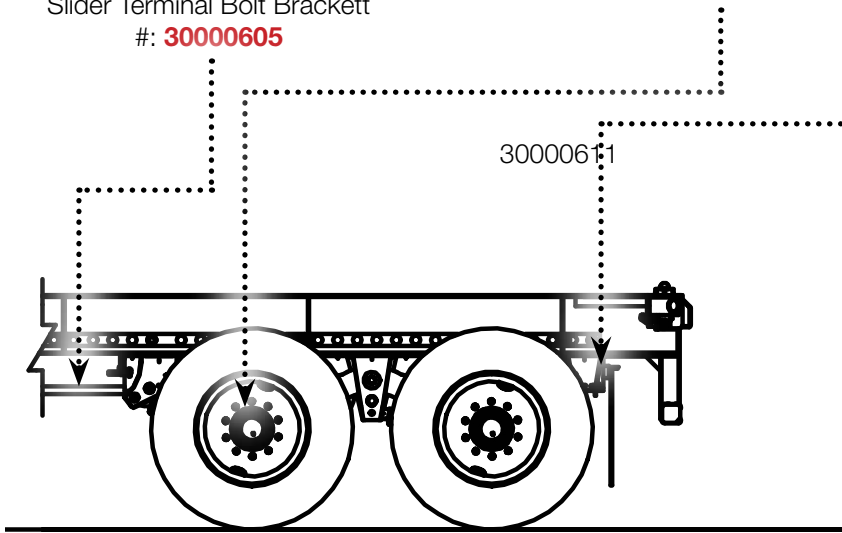
Terminal Bolt Bracket Channel
Part #: **30000604**
Slider Terminal Bolt Brackett
#: **30000605**



Hub and Drum Assembly
Part #: **30000229**



Mud Flap Bracket
Road Side Part #: **30000612**
Curb Side Part #: **30000611**



ABS Sensor
Part #: **55712023**



Auto Slack Adjuster
Part #: **30000206**



Mid Arch 2 Leaf Spring
Part #: **30000213**

Axle & Wheel End Area Components (Continued)



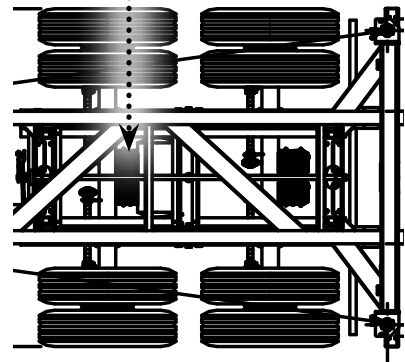
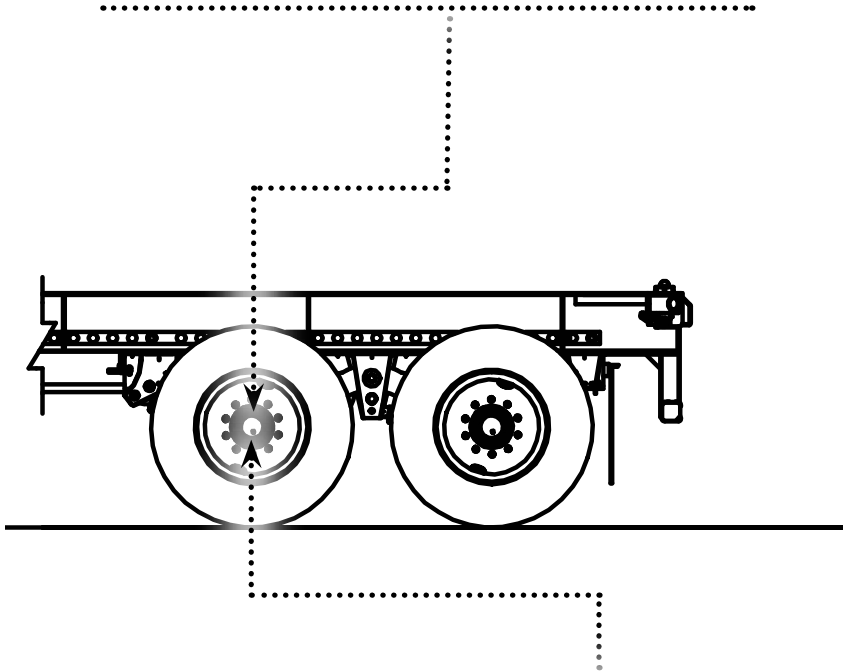
Pro Torque Wheel End Nut
Part #: **50981049**



Hub Cap
Part #: **30000200**



Brake Chamber
Part #: **59097041**



Hub Cap Gasket
Part #: **30000212**



Inner Bearing
Part #: **50100021**



Outer Bearing
Part #: **50100020**



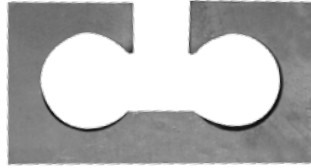
HUBO Part #: **50886255**

HUBO Bracket
Part #: **30000203**

Axle & Wheel End Area Components (Continued)



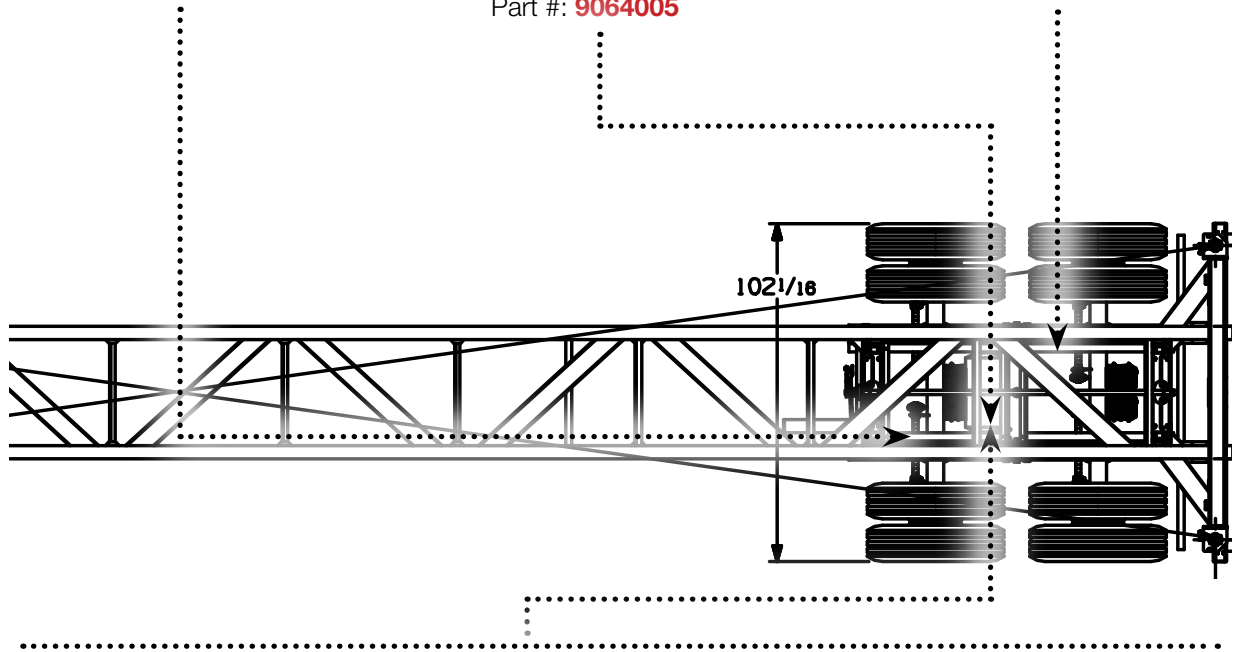
ABS Power Cable
Part #: **55712050**



Two Hole Grommet Bracket
(6 different locations)
Part #: **9064005**



Slider Box
Part #: **30000224**



ABS Valve
Part #: **55712017**



Spring Brake Valve
Part #: **55710035**



Air Tank
Part #: **30000216**

Front Bolster Area and Middle Chassis Components



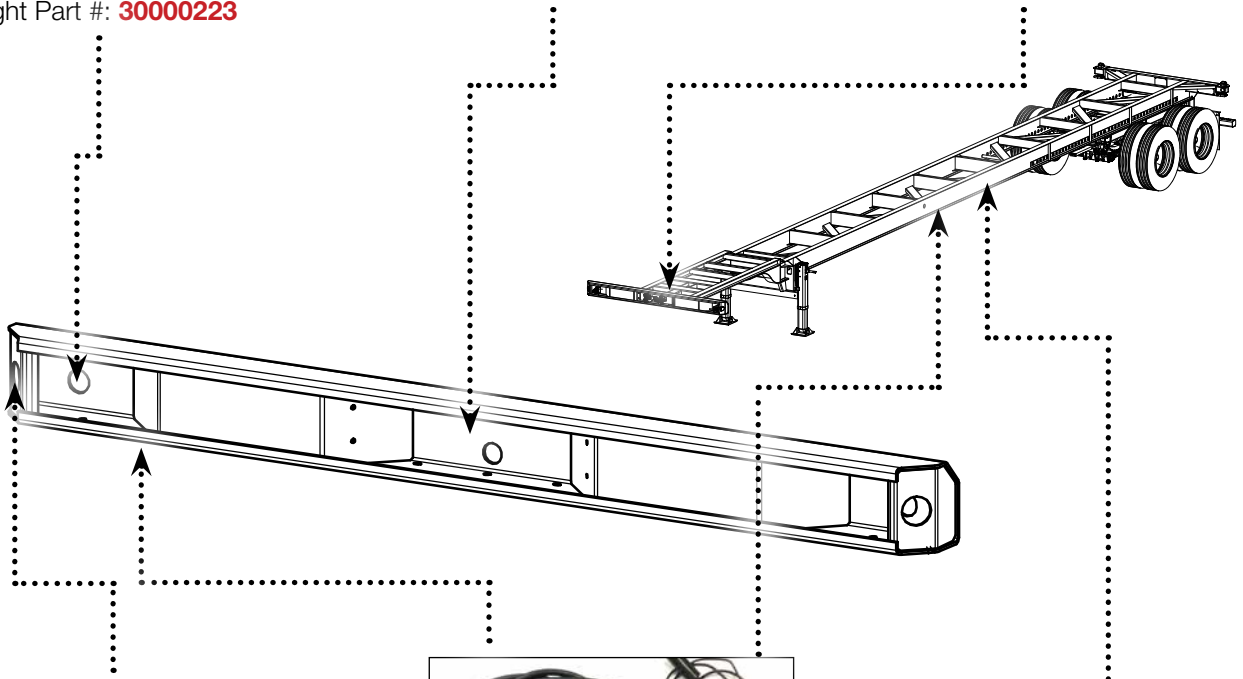
Pin Lock
Left Part #: **30000228**
Right Part #: **30000223**



44" 7 Way Nosebox
Part #: **50924073**



Front Bolster
Part #: **30111300**



Front Maker Clearance Lamp
Part #: **50922485**



676" 7 Way Main with Mid Marker
Part #: **50851270**



220" ABS Power Cable
Part #: **50858009**

Rear Bolster Area and Lighting Components



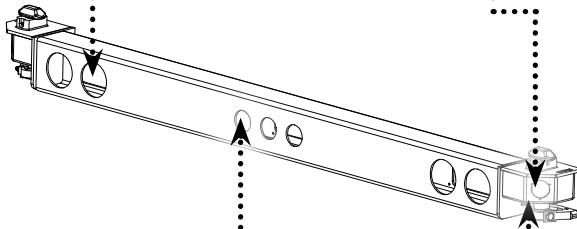
S/T/T Lamp
Part #: **50922004**



Rear Side Marker Lamp
Part #: **50924075**



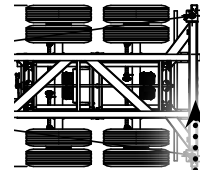
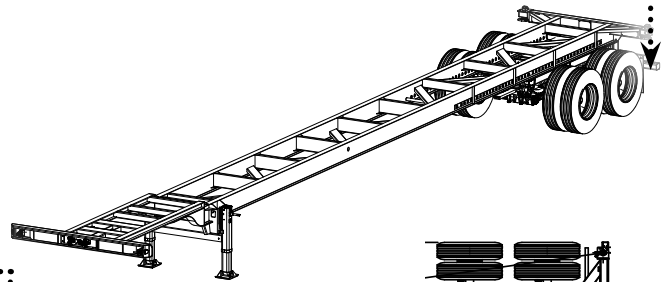
Bumper Weldment
Part #: **30100100**



Rear ID Lamp
Part #: **50924074**



ABS Lamp
Part #: **50924143**



48"/" Rear Sill
Part #: **50851271**

Rear Bolster Area and Lighting Components (Continued)



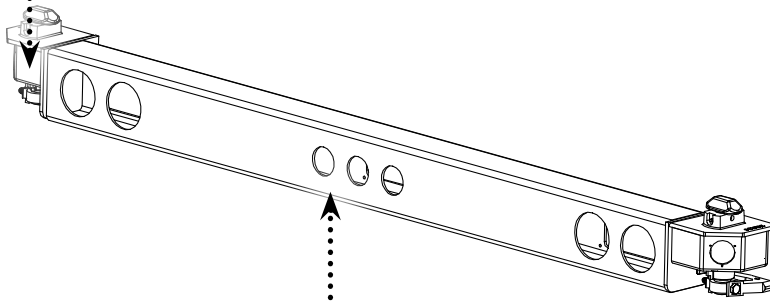
Front and Rear Marker
Security Flange
Part #: **65000198**



ID, ABS and Mid Marker
Security Flange
Part #: **50924112**



Many locations including:
Front Marker Clearance Adapter Pigtail
Mid Marker Adapter Pigtail
Rear ID Adapter Pigtail
Rear Side Marker Adapter Pigtail
ABS Adapter Pigtail
Part #: **50855089**



License Lamp
Part #: **50924082**



License Lamp Mounting Flange
Part #: **50924110**



12" CTR Rear ID/License
Part #: **50851272**

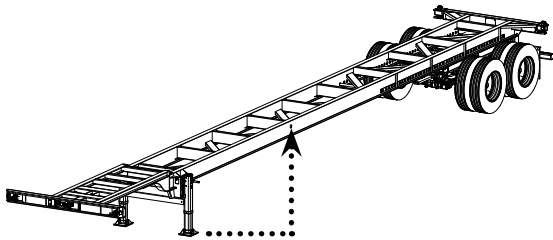
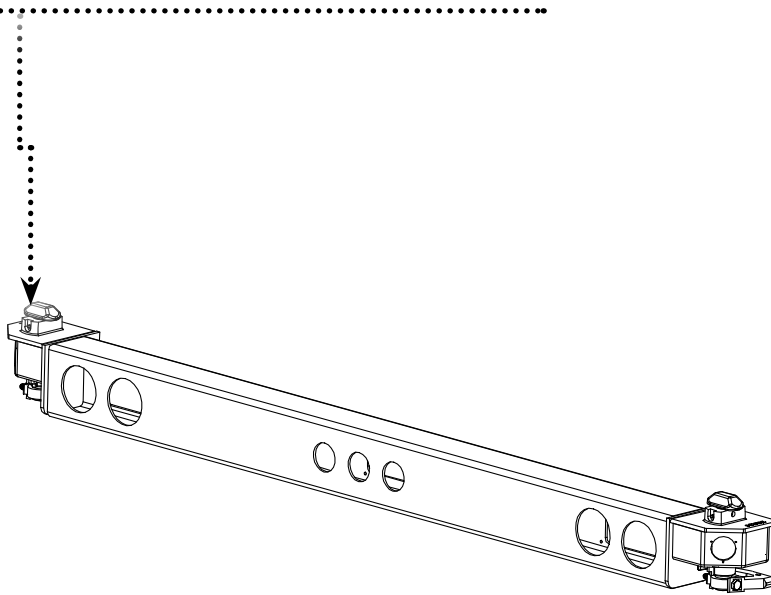
Rear Bolster Area and Lighting Components (Continued)



Twist Lock (Toca) 10000 - 10299
Curbside Part #: **30000226**
Roadside Part #: **30000227**



Twist Lock (Buffers) 10200 - 11999
Curbside Part #: **30000214**
Roadside Part #: **30000215**



Mid Marker Lamp
Part #: **50924076**



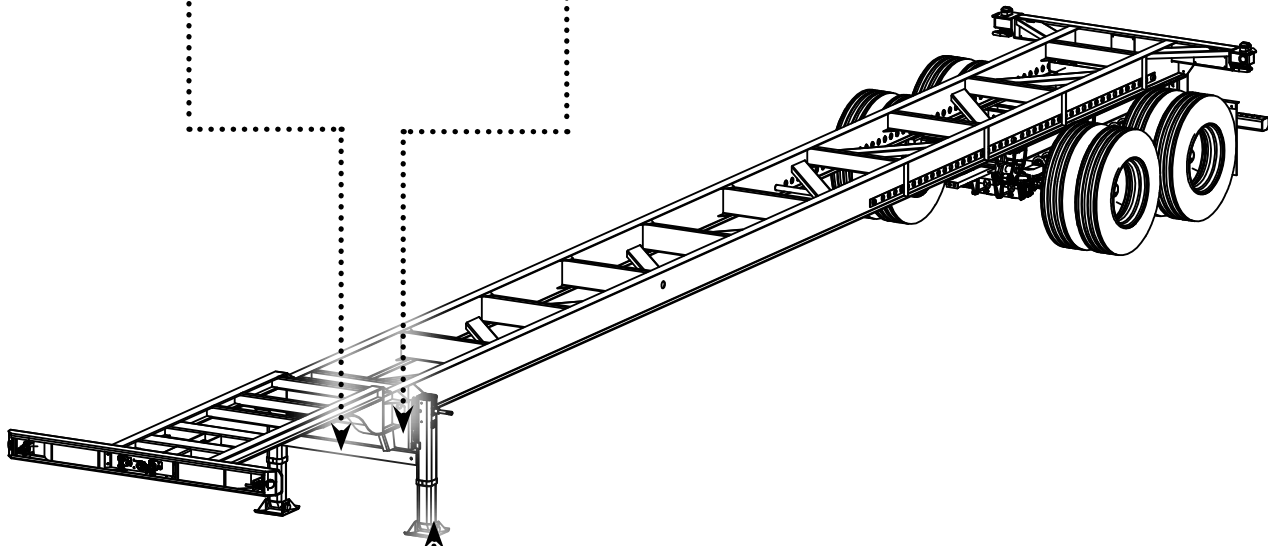
Landing Gear Components



Landing Gear Channel
Part #: **65000150**



Landing Gear
Bracket Weldment
Part #: **30000127**



Landing Gear
Part #: **30000208**

Structural Components



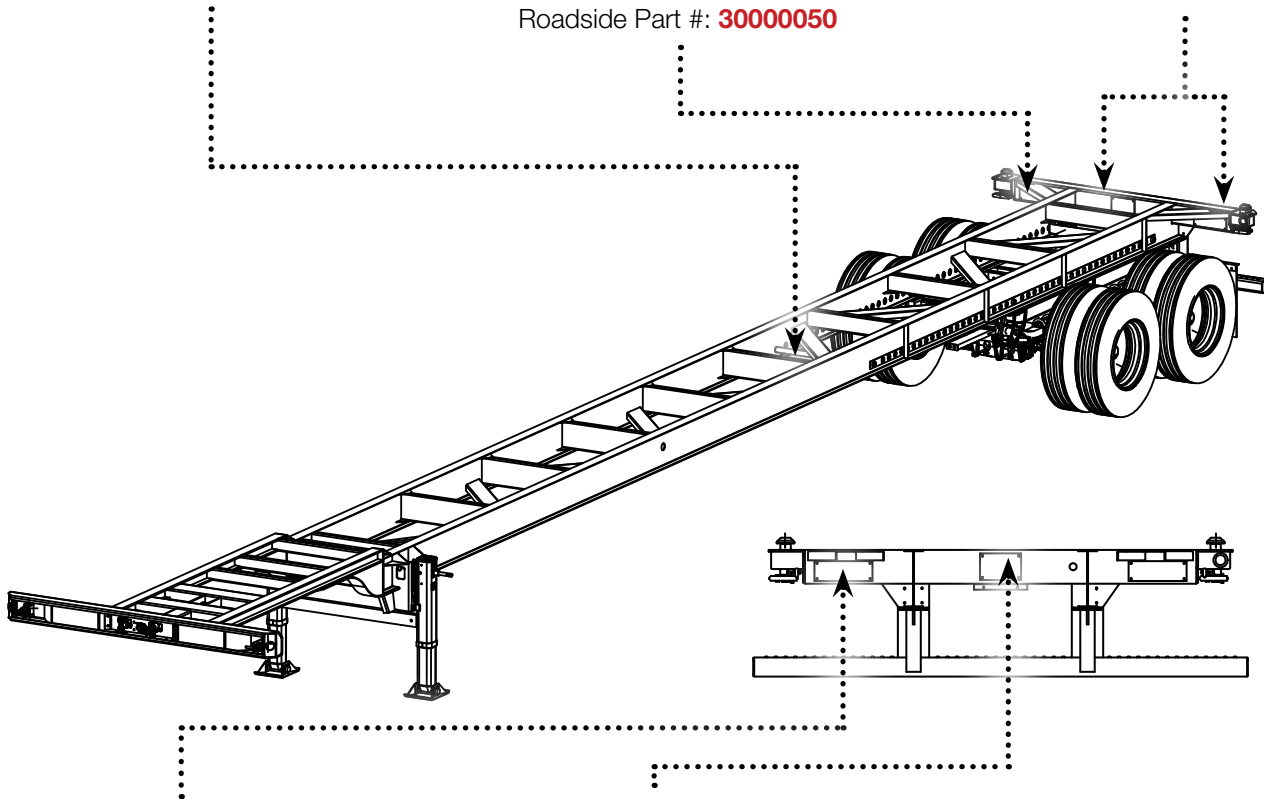
Slider Stop Tube
Part #: **30000187**



Rear Gusset
Curbside Part #: **30000046**
Roadside Part #: **30000050**



Steel Dock Bumper Weldment
Part #: **30000195**



Rear Bolster Outside
Access Cover
Part #: **30100006**



Rear Bolster CTR
Access Cover
Part #: **30100006**



Rear Bolster
Part #: **30113001**

Structural Components (Continued)



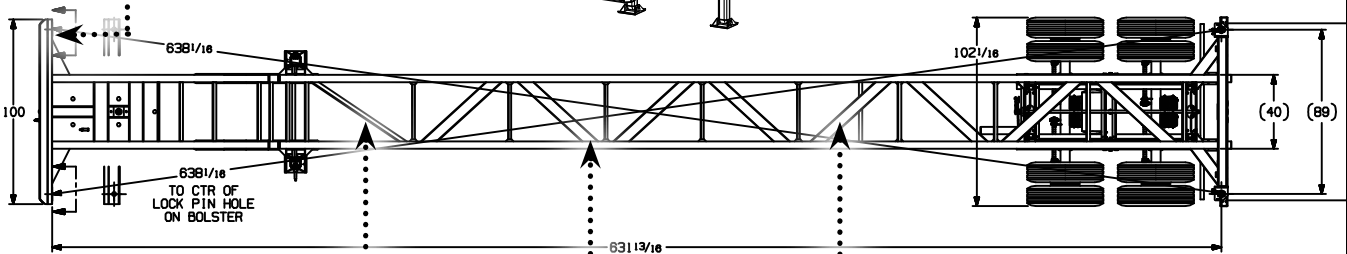
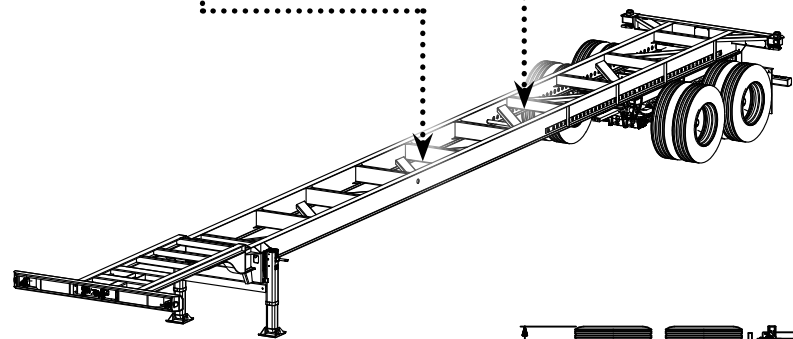
Front End Bolster Gusset
Part #: **30000006**



Rear Beam Cross Member
(Multiple locations)
Part #: **30110004**



Main Beam Cross Member
(Multiple locations)
Part #: **30110003**



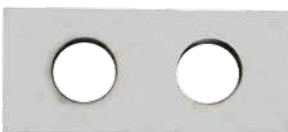
Formed Cross Member
Part #: **30000076**



Cross Member Gusset
(Multiple locations)
Part #: **30000078**

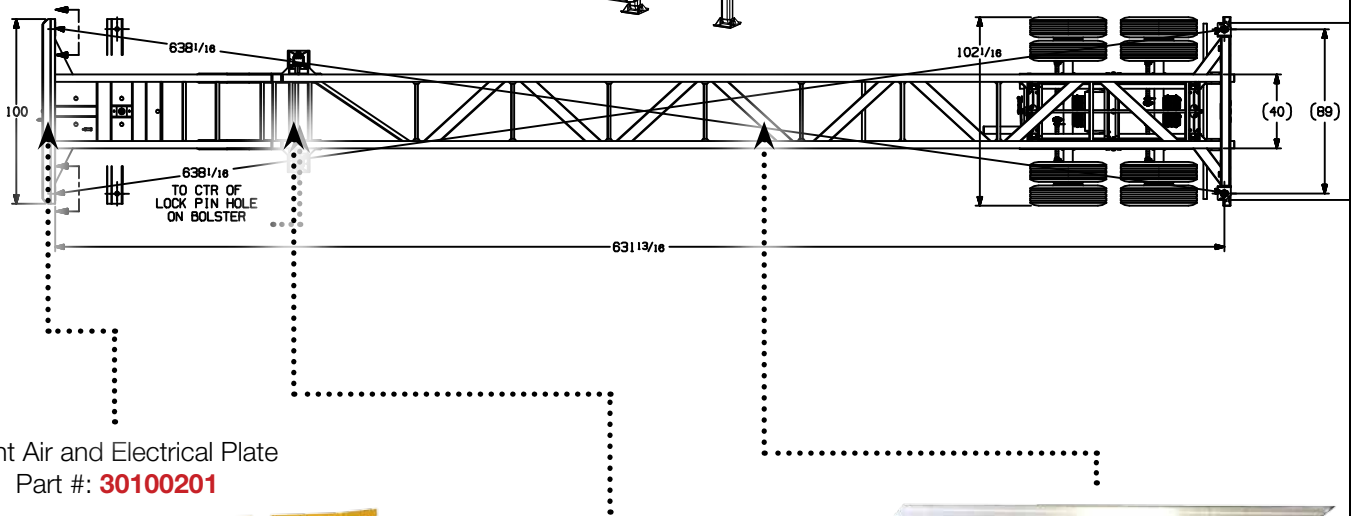
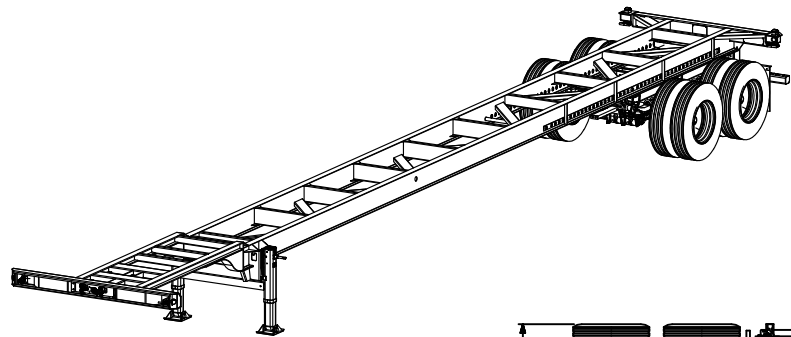


Formed Cross Member
(Multiple locations)
Part #: **30000077**



Terminal Bolt Bracket
Part #: **30000605**

Structural Components (Continued)



Front Air and Electrical Plate
Part #: **30100201**



Landing Gear Cross Member
Part #: **30110003**



Diagonal Cross Member
(Multiple locations)
Part #: **30000030**

Miscellaneous Components



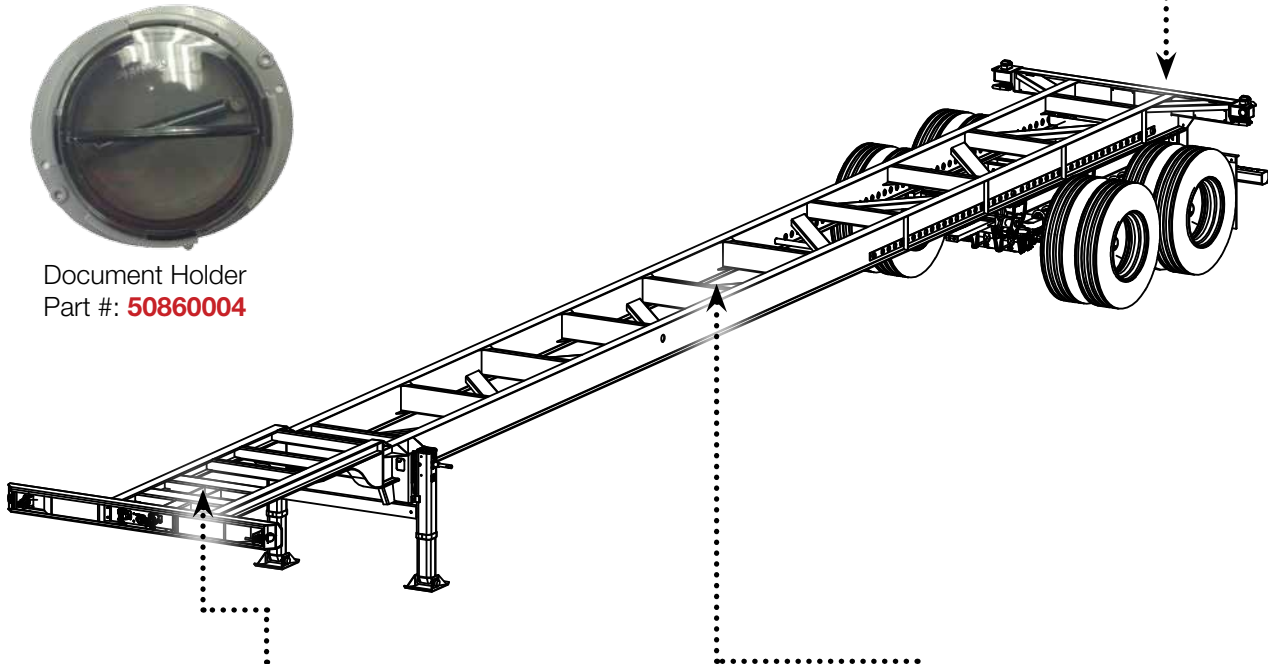
UP Decal Set
Part #: **30000230**



License Plate Bracket
Part #: **30000192**



Document Holder
Part #: **50860004**



King Pin
Part #: **30000211**



Hose Kaddy
Part #: **50491011**

Bumper Components



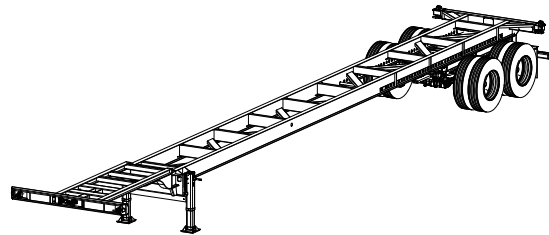
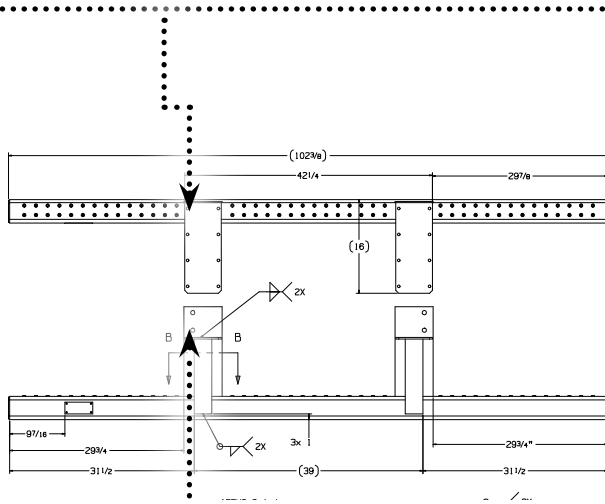
7/16" x 2" Hex Head GR8 Bolt
(Need 16 per Bumper)
Part #: **50171012**



7/16" GR8 Flat Washer
(Need 32 per Bumper)
Part #: **55750002**



7/16" GR8 Lock Nut
(Need 18 per Bumper)
Part #: **55750006**



5/8" x 2" Hex Head GR8 Bolt
(Need 4 per Bumper)
Part #: **50174011**



5/8" GR8 Flat Washer
(Need 8 per Bumper)
Part #: **55752121**



5/8" GR8 Lock Nut
(Need 4 per Bumper)
Part #: **50985059**